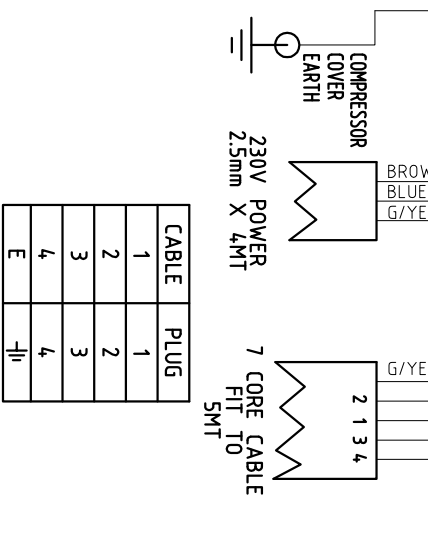
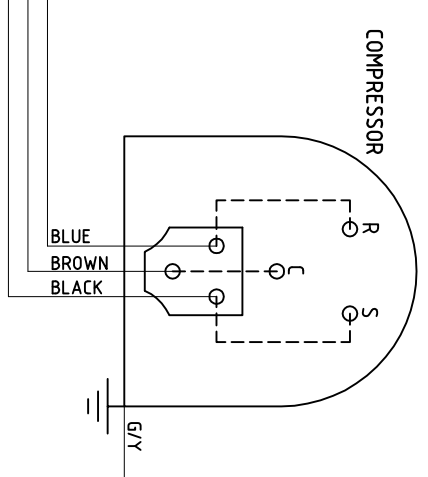
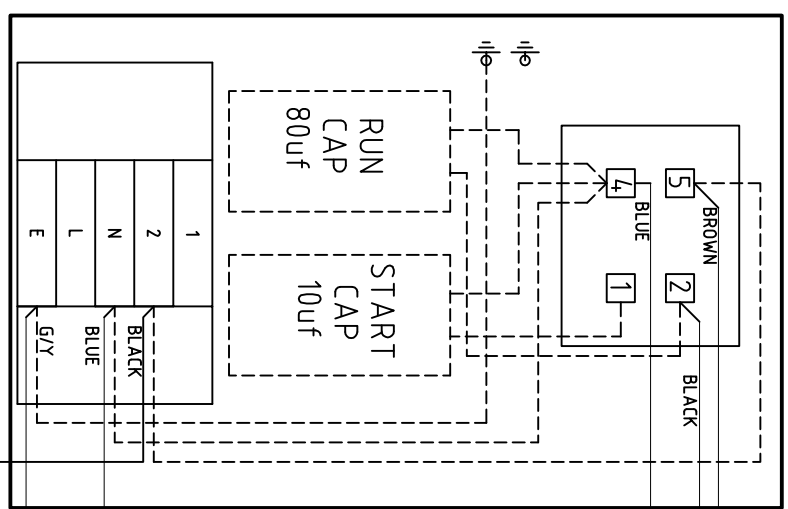
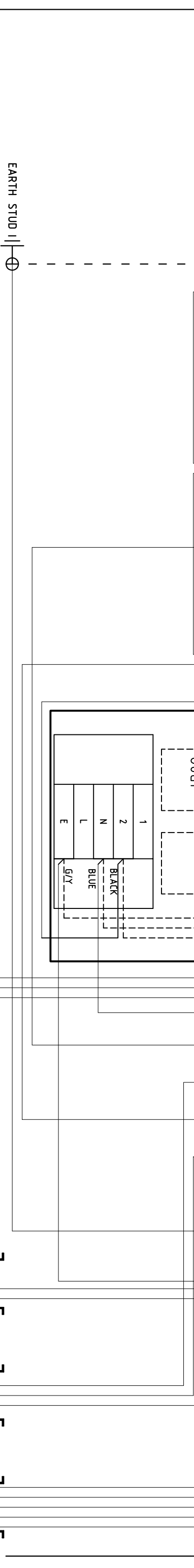
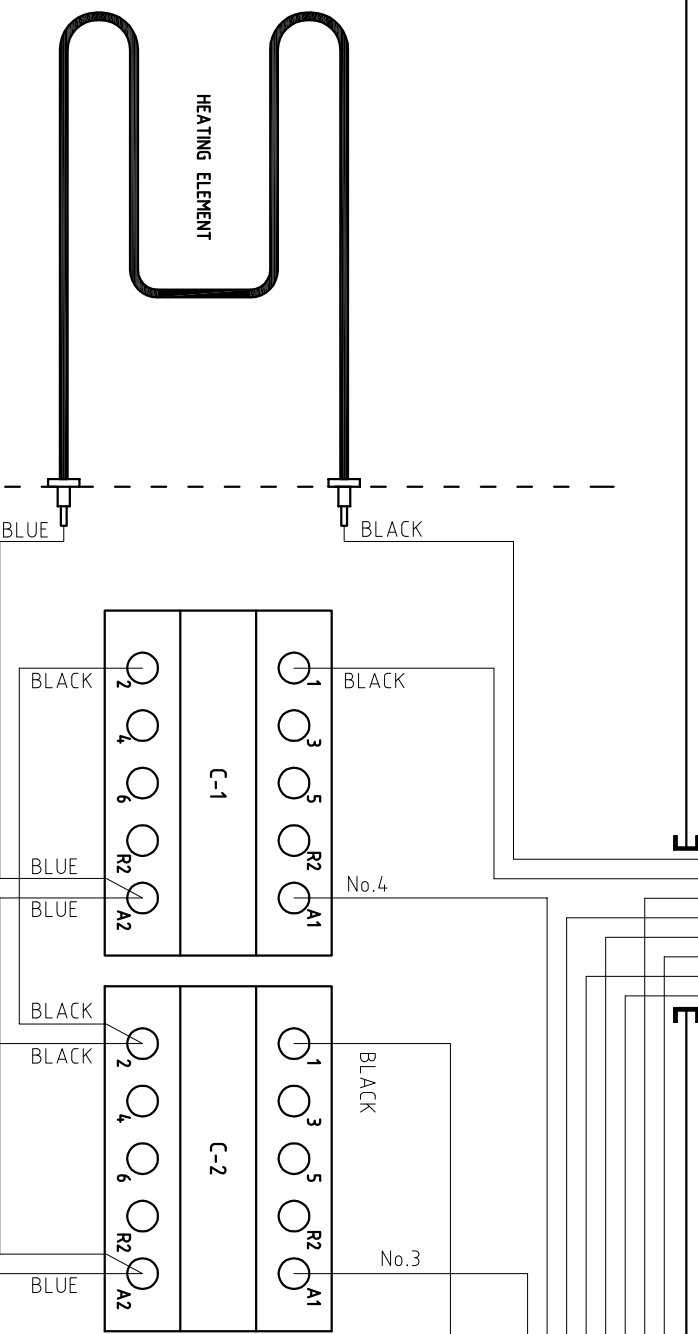
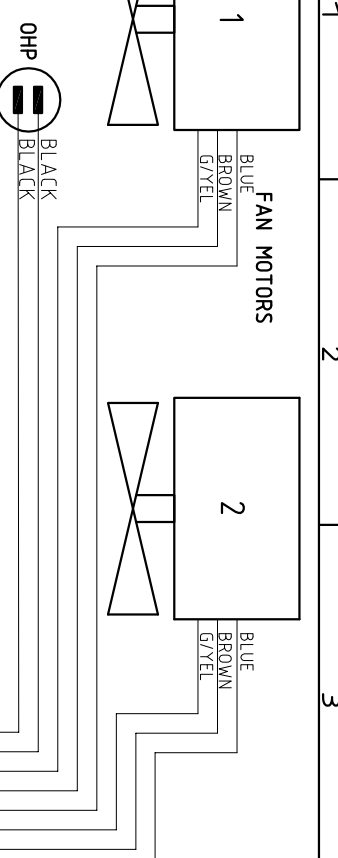
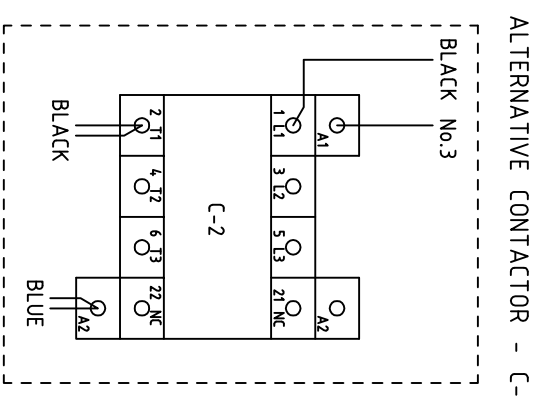
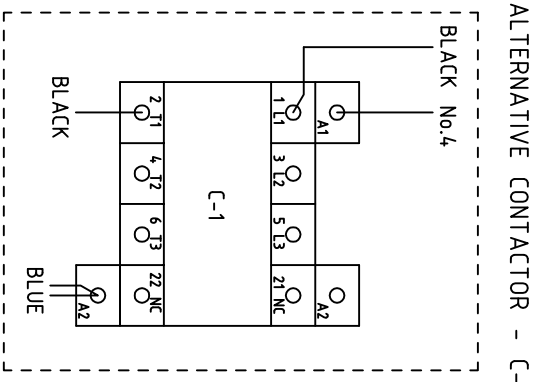


ISSUE	DATE	AMENDMENTS
1	06/03/08	ORIGINAL
2	06/05/08	ALTERNATIVE CONTACTORS ADDED - WDA
3	26/09/08	COMPRESSOR WIRING & CLOURS UPDATED - WDA
4	14/11/08	CONTACTOR WIRING UPDATED / TABLE ADDED - WDA
5	17/05/13	EARTHS UPDATED - WDA
6	19/09/16	COMPRESSOR STARTER PACK ADDED - WDA

TOP COVER EARTH



CABLE	PLUG
1	1
2	2
3	3
4	4
E	- -



1993
LIMITED
BISHOP AUCKLAND
ENGLAND

TITLE
FD100 STC1 COMPATIBLE - WIRING DIAGRAM

3RD ANGLE PROJECTION
DO NOT SCALE
IF IN DOUBT ASK

DIMENSIONS IN m.m.
TOLERANCES UNLESS OTHERWISE STATED

0.0	± 0.25
0.00	± 0.05
ANGULAR	± 0.5 DEGREE

MATERIAL
DRAWN : W DAGLISH

FINISH

DRG.NO.
5010202

SHEET
1 OF 1