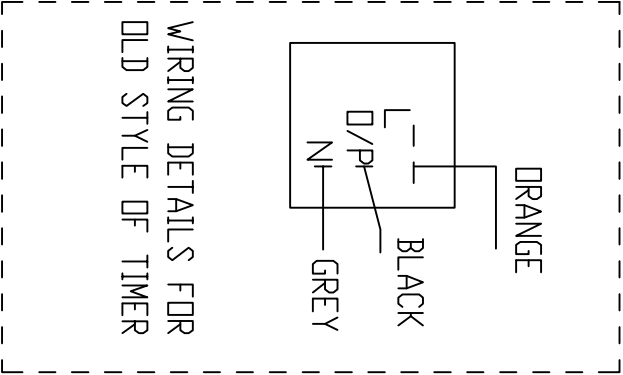
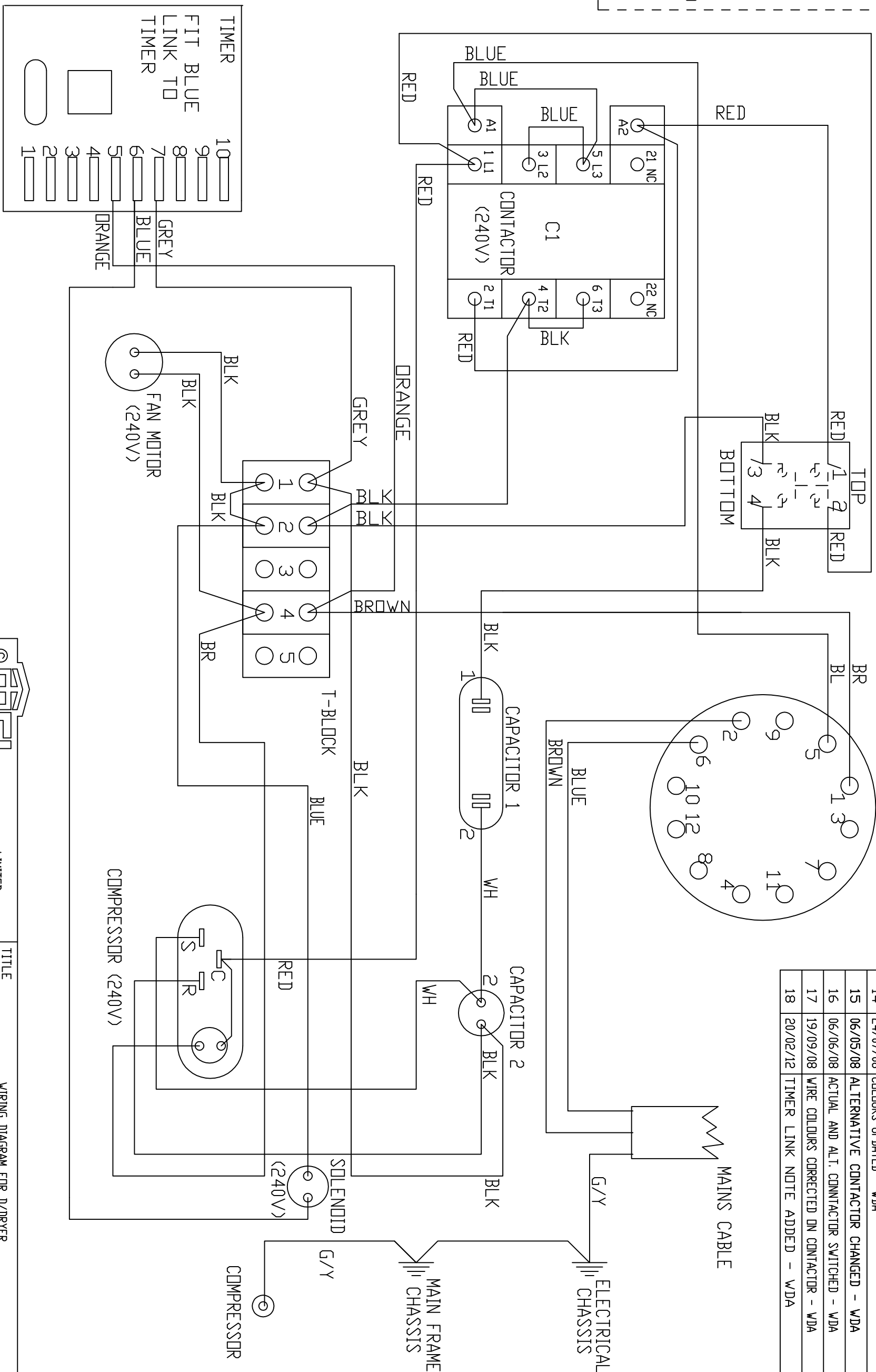
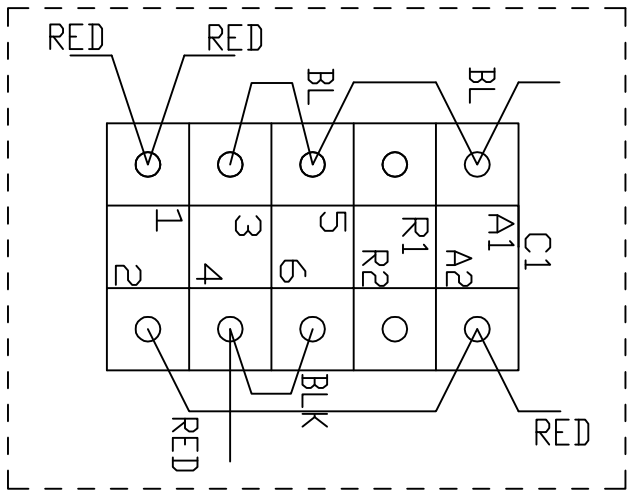
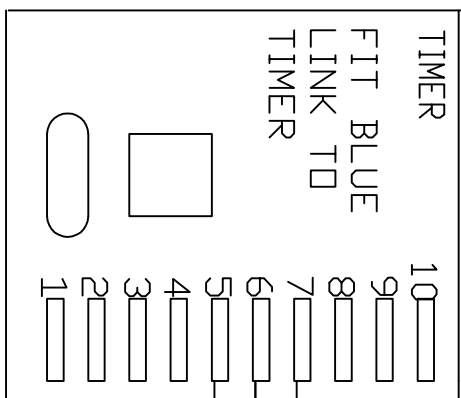


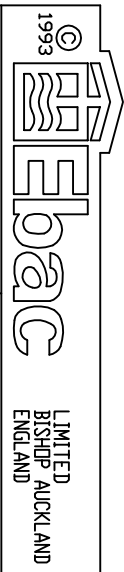
ALTERNATIVE CONTACTOR



WIRING DETAILS FOR OLD STYLE OF TIMER



ISSUE	DATE	AMENDMENTS
10	16/05/94	6683 ALTERNATIVE RELAY ADDED
11	21/07/94	ADD LINK TO T/B BETWEEN 1 AND 2 - CHANGE No. 7756
12	13/3/02	COLORS ADDED - WDA
13	20/07/07	PUSH BUTTON NOTATION UPDATED - WDA
14	24/07/08	COLORS UPDATED - WDA
15	06/05/08	ALTERNATIVE CONTACTOR CHANGED - WDA
16	06/06/08	ACTUAL AND ALI. CONTACTOR SWITCHED - WDA
17	19/09/08	WIRE COLORS CORRECTED ON CONTACTOR - WDA
18	20/02/12	TIMER LINK NOTE ADDED - WDA



TITLE: WIRING DIAGRAM FOR D/DRYER MK 4/1 230V SINGLE VOLTAGE

3RD ANGLE PROJECTION
 DD NOT SCALE
 IF IN DOUBT ASK

DIMENSIONS IN mm.
 TOLERANCES UNLESS OTHERWISE STATED

FINISH

DRAWN: MICHAEL DUNN
 CAD SCALE:

DRG. NO. 5010219
 SHEET 1 OF 1