

SEE SHEET 2 OF 2 FOR BETTER VIEW OF HEATER BOX

ISSUE	DATE	AMENDMENTS
7	13/02/15	TEMP. CONT. / DRIVE MOTOR UPDATED - WDA
8	01/05/15	CONTROL BOX VIEW CHANGED - WDA
9	12/05/15	CONTROL BOX VIEW CHANGED - WDA
10	06/11/15	REGEN FAN T/B VIEW UPDATED - WDA
11	09/01/17	GENERAL UPDATE - WDA

EBAC LIMITED BISHOP AUCKLAND ENGLAND

1993

3RD ANGLE PROJECTION

DO NOT SCALE IF IN DOUBT ASK

DIMENSIONS IN mm. TOLERANCES UNLESS OTHERWISE STATED

0.0 ± 0.25
0.00 ± 0.05
ANGULAR ± 0.5 DEGREE

FINISH N/A

MATERIAL N/A

TITLE DD1200 - WIRING DIAGRAM - 415V / 50HZ

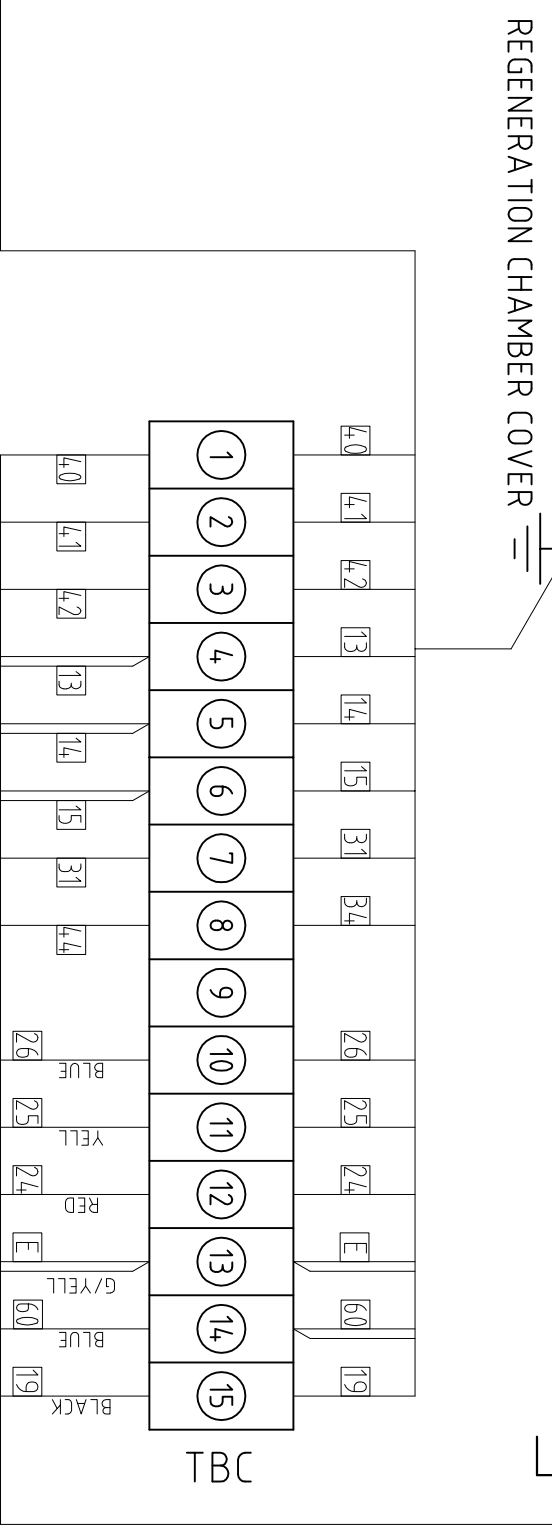
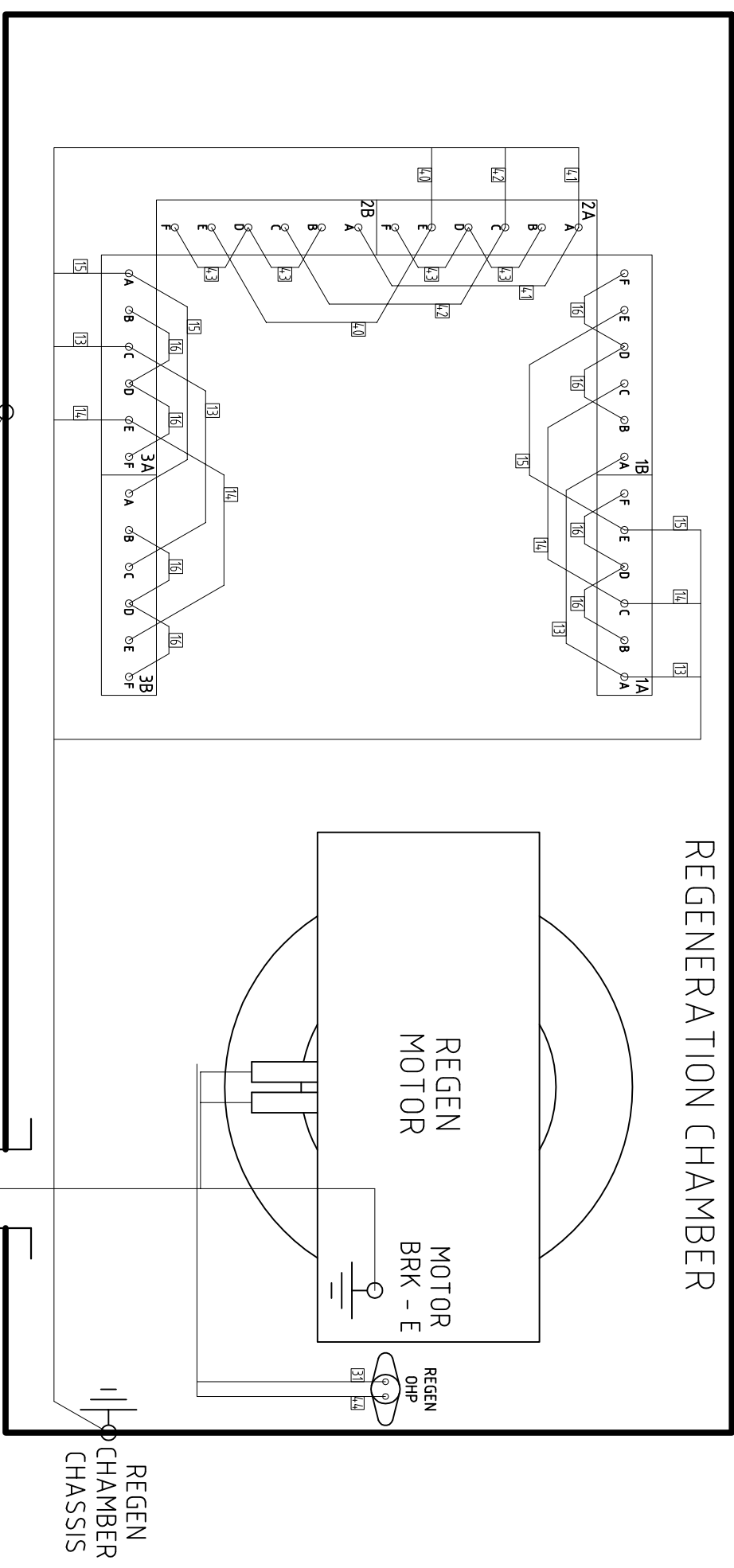
DRAWN: W DAGLISH

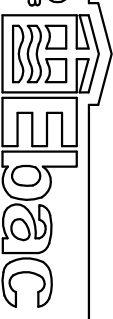
CAD SCALE: N/A

DRG.NO. 5010329

SHEET 1 OF 2

ISSUE	DATE	AMENDMENTS
7	13/02/15	TEMP. CONT. / DRIVE MOTOR UPDATED - WDA
8	01/05/15	CONTROL BOX VIEW CHANGED - WDA
9	12/05/15	CONTROL BOX VIEW CHANGED - WDA
10	06/11/15	REGEN FAN T/B VIEW UPDATED - WDA
11	09/01/17	GENERAL UPDATE - WDA





1993
LIMITED
BISHOP AUCKLAND
ENGLAND

TITLE
DD1200 - WIRING DIAGRAM - 415V / 50HZ

3RD ANGLE PROJECTION DO NOT SCALE IF IN DOUBT ASK	DIMENSIONS IN m.m. TOLERANCES UNLESS OTHERWISE STATED	MATERIAL N/A	FINISH N/A								
<table border="0"> <tr> <td>0</td> <td>± 1</td> </tr> <tr> <td>0.00</td> <td>± 0.25</td> </tr> <tr> <td>0.00</td> <td>± 0.05</td> </tr> <tr> <td>ANGULAR</td> <td>± 0.5 DEGREE</td> </tr> </table>	0	± 1	0.00	± 0.25	0.00	± 0.05	ANGULAR	± 0.5 DEGREE		DRAWN : W DAGLISH	DRG.NO. 5010329
0	± 1										
0.00	± 0.25										
0.00	± 0.05										
ANGULAR	± 0.5 DEGREE										
		CAD SCALE : N/A	SHEET 2 OF 2								