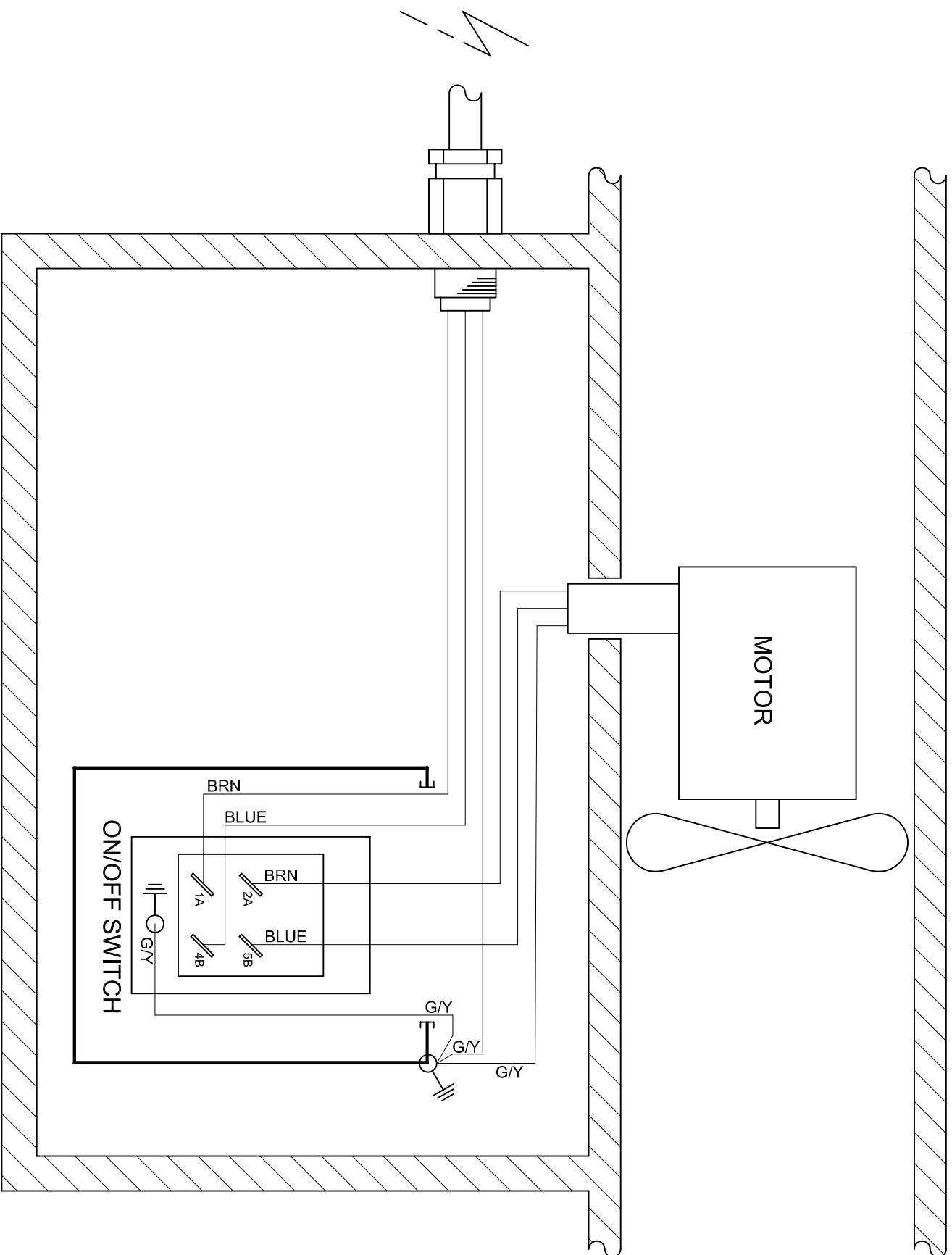
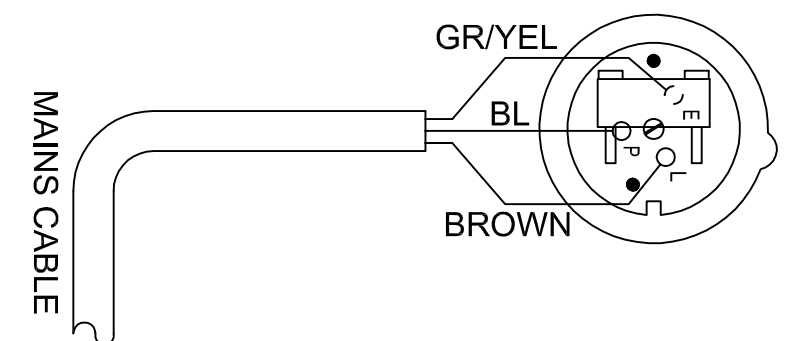
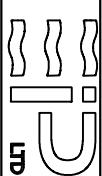



ISSUE	DATE	AMENDMENTS
1	20/10/15	ORIGINAL

MAINS PLUG (110V)



 1997 LTD	BISHOP AUCKLAND Co. DURHAM ENGLAND	TITLE <b>WIRING DIAGRAM - RF3500 - GB 110V</b>
--	--	---

3RD ANGLE PROJECTION  DO NOT SCALE IF IN DOUBT ASK	DIMENSIONS IN m.m. TOLERANCES UNLESS OTHERWISE STATED 0, ± 0,00 0,00 ± 0,005 ANGULAR ± 0,5 DEGREE	MATERIAL ---	DRAWN : <b>W DAGLISH</b> CAD SCALE : N/A	FINISH ---	DRG. NO. <b>5010395</b>	SHEET 1 OF 1
--	--	-----------------	---	---------------	----------------------------	-----------------