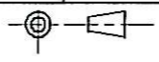
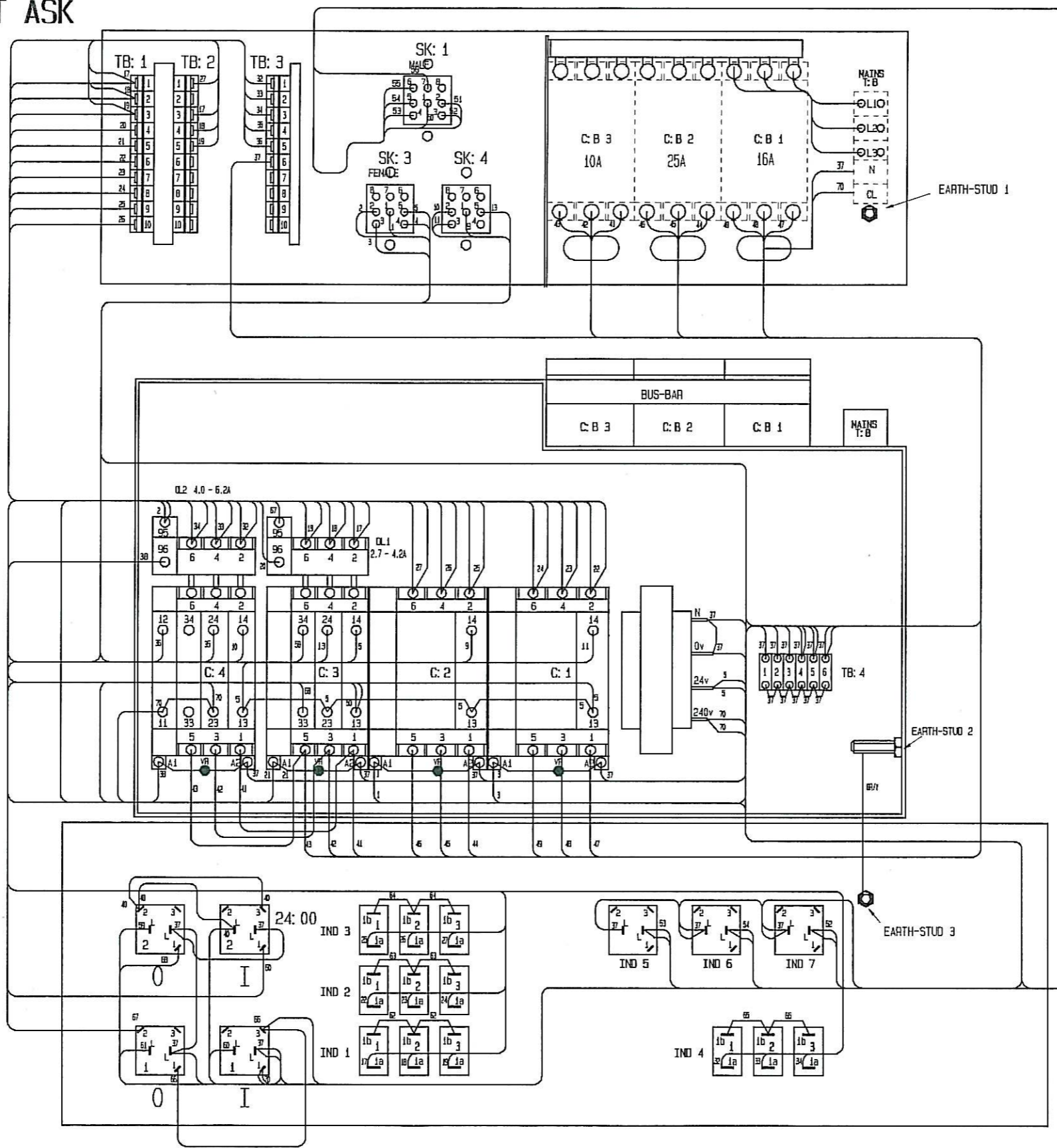


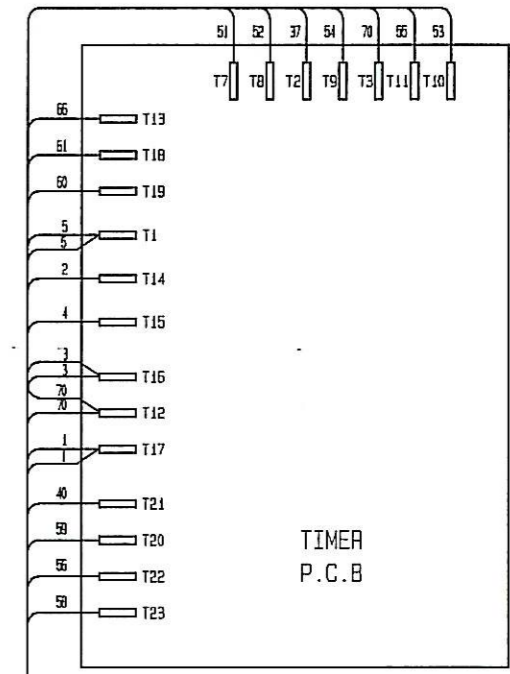
3RD ANGLE PROJECTION



IF IN DOUBT ASK

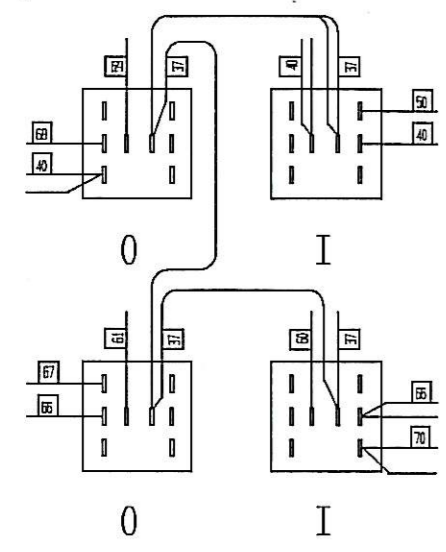


Master Copy
04 JUN 1997
Verified *[Signature]*



Master Copy
04 JUN 1997
Verified

ALTERNATIVE WIRING
DETAIL FOR SWITCH
Pt. No. 3032399



DRG. No. 5011383

INSPECTION PROCEDURE	ISS.	1	2	3	4
	DATE	22.06.90	17.09.90	15.06.95	03/06/97
	C/N		GE	GE	MTD
	MATERIAL	FINISH			
		TOLERANCE UNLESS STATED +/- 0.5		DIMENSIONS IN m.m.	

Ebac Limited

TITLE
WIRING DIAGRAM FOR
MCU 1002 (480,3.60)

DRAWN S. THOMPSON	CHECKED	APPROVED	SCALE
SECURITY CLASSIFICATION			
DRG. No. 5011383			