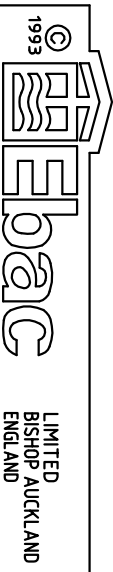
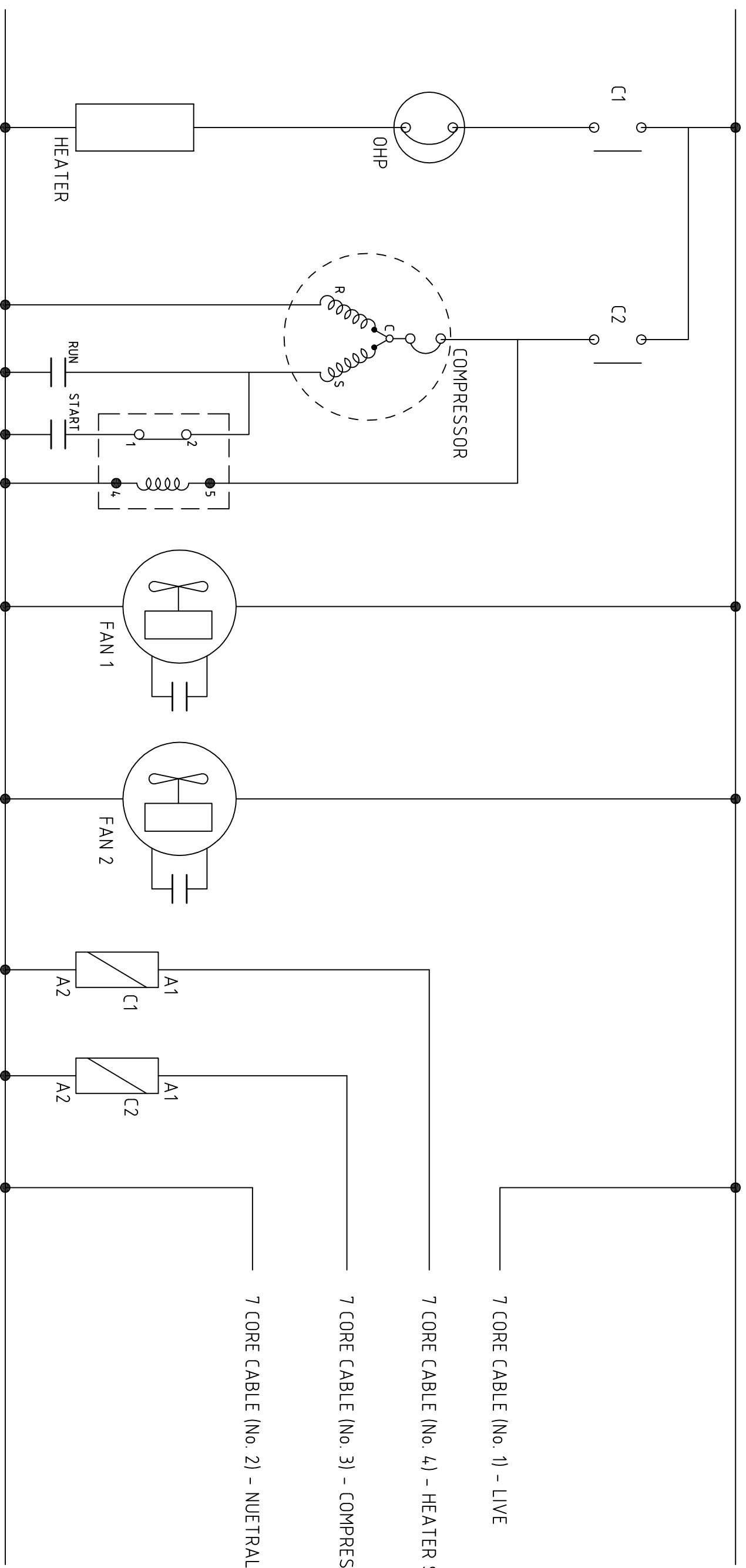


ISSUE	DATE	AMENDMENTS
1	14/03/08	ORIGINAL
2	10/03/15	COMP. STARTER PACK INCLUDED - WDA



TITLE
FD100 STC1 COMPATIBLE - SCHEMATIC

DIMENSIONS IN m.m. TOLERANCES UNLESS OTHERWISE STATED		DRAWN : W DAGLISH	
0.0	± 1	CAD SCALE : N/A	
0.00	± 0.25	DRG.NO.	5020205
ANGULAR ± 0.5 DEGREE		SHEET	1 OF 1

3RD ANGLE PROJECTION
DO NOT SCALE
IF IN DOUBT ASK