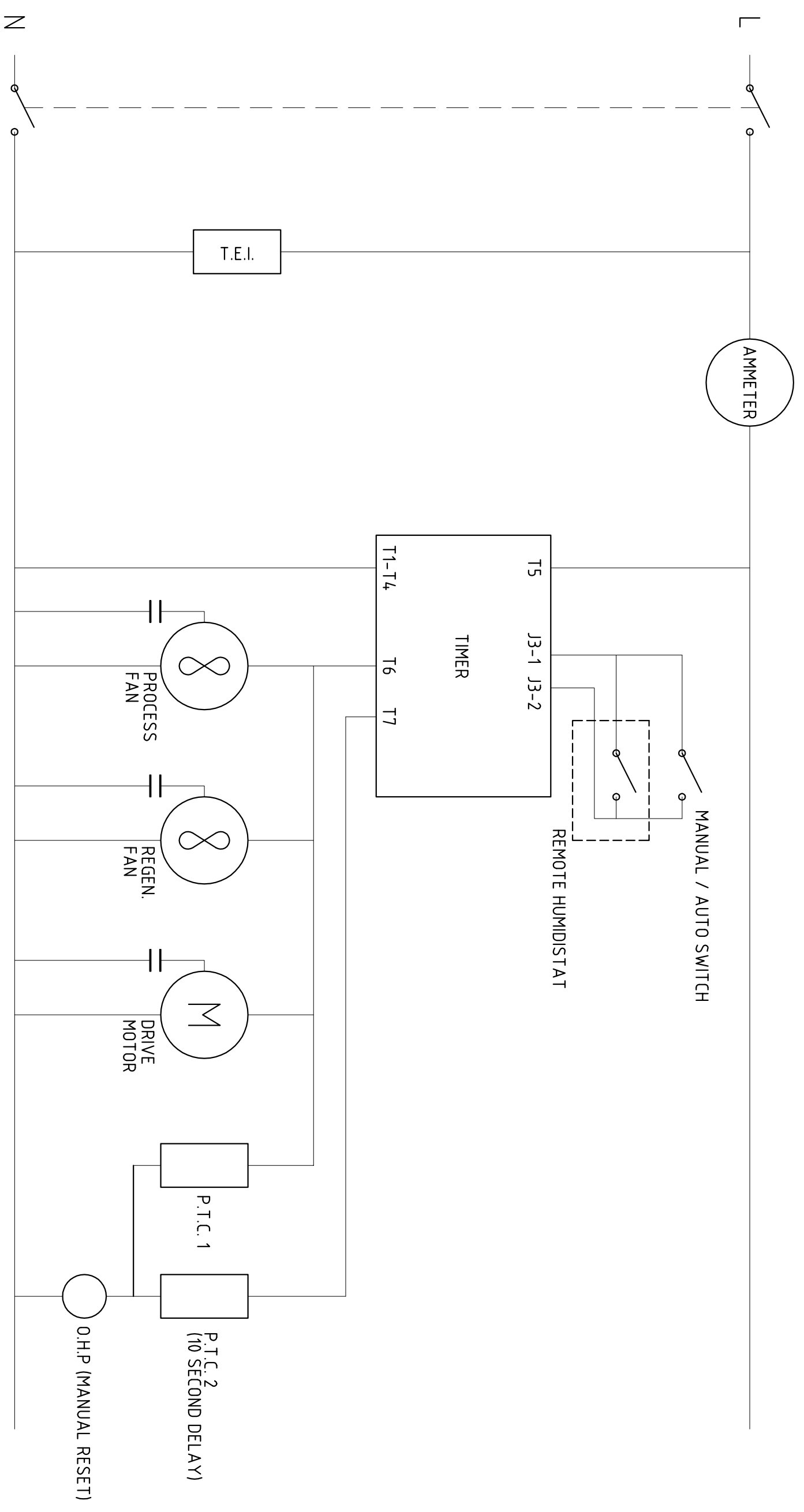
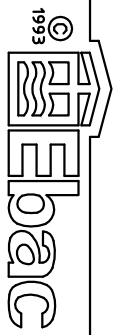


| ISSUE | DATE | AMENDMENTS |
|-------|----------|--------------------------------------|
| A | 12/08/09 | ORIGINAL |
| B | 23/09/09 | REDRAWN - WDA |
| 1 | 10/11/09 | PRE-PRODUCTION ISSUES RESOLVED - WDA |
| | | |
| | | |



| | | | |
|------------------------------------------------------------------------------------------------------------------------------|--|---------------------------------------------|--|
|  LIMITED BISHOP AUCKLAND ENGLAND | | TITLE 2.5KW DESICCANT - SCHEMATIC | |
| DIMENSIONS IN m.m. TOLERANCES UNLESS OTHERWISE STATED ± 1 ± 0.25 ± 0.05 ANGULAR ± 0.5 DEGREE | | MATERIAL N/A | |
| FINISH N/A | | DRAWN: W DAGLISH CAD SCALE: N/A | |
| DRG.NO. 5020300 | | SHEET 1 OF 1 | |

| | |
|---------------------------------------------------------|--|
| 3RD ANGLE PROJECTION DO NOT SCALE IF IN DOUBT ASK | |
|---------------------------------------------------------|--|