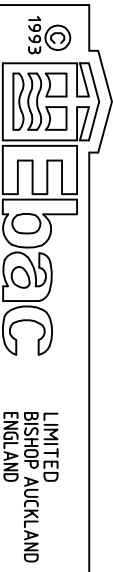
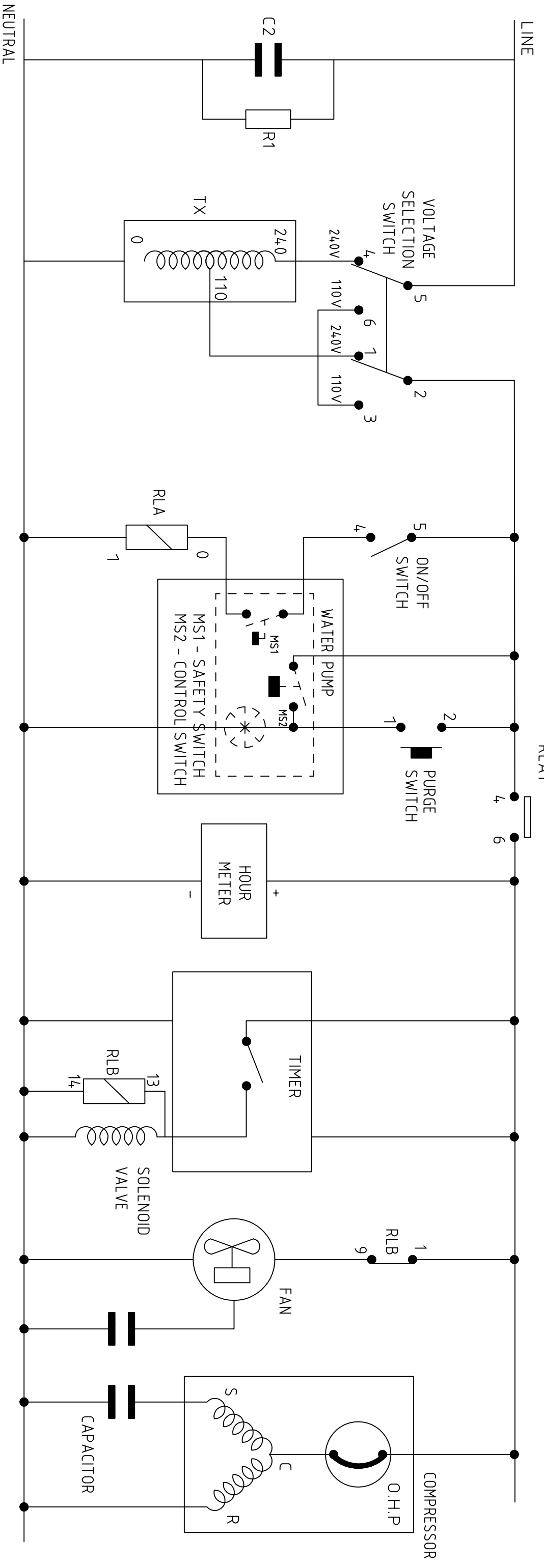


ISSUE	DATE	AMENDMENTS
1	14/05/13	ORIGINAL
2	08/11/13	MAINS / TX FILTER CHANGED - WDA



TITLE  
RM85 - WIRING SCHEMATIC - DUAL VOLTAGE

3RD ANGLE PROJECTION  
DO NOT SCALE  
IF IN DOUBT ASK

DIMENSIONS IN m.m.  
TOLERANCES UNLESS OTHERWISE STATED  
0.0 ± 0.25  
0.00 ± 0.05  
ANGULAR ± 0.5 DEGREE

MATERIAL  
FINISH

DRAWN : W DAGLISH  
CAD SCALE : N/A

DRG.NO. 5020366

SHEET 1 OF 1